

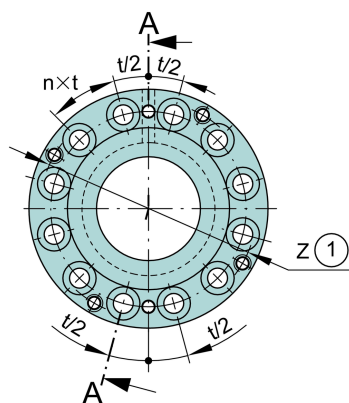
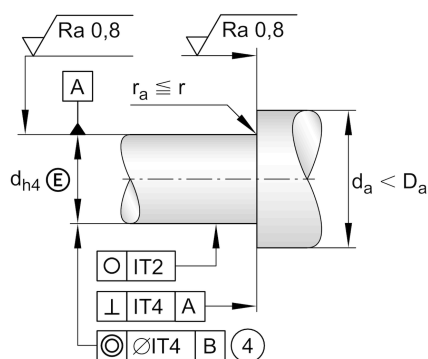
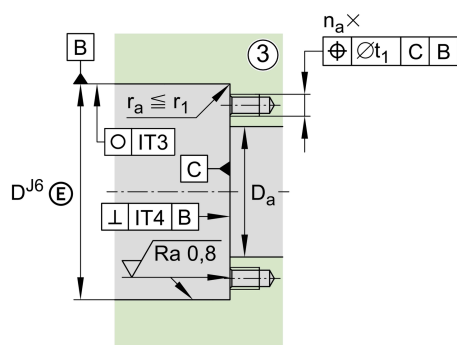
## ZARF55145-TV

### Needle roller/axial cylindrical roller bearing

Schaeffler ID:  
0016832250000

Needle roller/axial cylindrical roller bearings ZARF, double direction, for screw mounting

#### Technical information

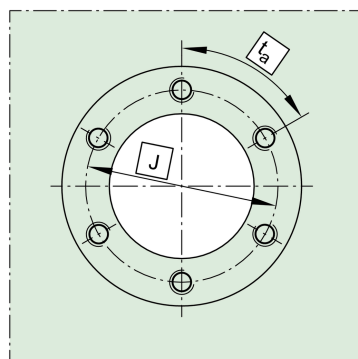
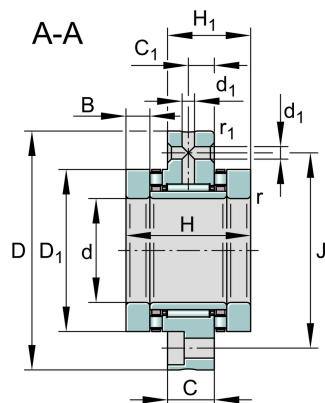


#### Main Dimensions & Performance Data

d	55 mm	Bore diameter
D	145 mm	Outside diameter
H	82 mm	Height
$C_r$	44,000 N	Basic dynamic load rating, radial
$C_{0r}$	98,000 N	Basic static load rating, radial
$C_a$	177,000 N	Basic dynamic load rating, axial
$C_{0a}$	500,000 N	Basic static load rating, axial
$C_{ur}$	13,800 N	Fatigue load limit, radial
$C_{ua}$	46,500 N	Fatigue load limit, axial
$n_{G \text{ Grease}}$	1,000 1/min	Limiting speed for grease lubrication
$n_{G \text{ Oil}}$	2,900 1/min	Limiting speed for oil lubrication
$M_{RL}$	4 Nm	Bearing friction torque
	4.086 kg	Weight

#### Dimensions

$H_1$	51 mm	Height outer ring over wave washer
$c_{aL}$	4,900 N/μm	Rigidity axial
$c_{kL}$	3,600 Nm/mrad	Tilting stiffness
C	22.5 mm	Width, outer ring
	1 μm	Axial runout
$C_1$	12.5 mm	Distance to lubrication hole
$D_1$	100 mm	Rip diameter shaft washer
$M_A$	220 Nm	Tightening torque nut
	39,807 N	Preload force axial
B	17.5 mm	Width, inner ring
$r_{min}$	0.3 mm	Minimum chamfer dimension
$r_{1 min}$	0.6 mm	Minimum chamfer dimension
$d_1$	6 mm	Diameter lubrication hole
J	118 mm	Pitch circle diameter (holes)
$n \times t$	30 °	Split
$t_1$	0.2 mm	Position bore in the housing



### Mounting dimensions

$D_{a \max}$	101 mm	Maximum diameter of housing shoulder
$d_{a \min}$	85 mm	Minimum diameter shaft shoulder
	ZMA55/98	Locknut 1
	AM55	Locknut 2
n	12	Number (screwing holes)
	M10	Screw size
$M_M$	36.1 kg * cm <sup>2</sup>	Mass moment of inertia
n	12	Number of screws
na x ta	30 °	Division (screwing holes)